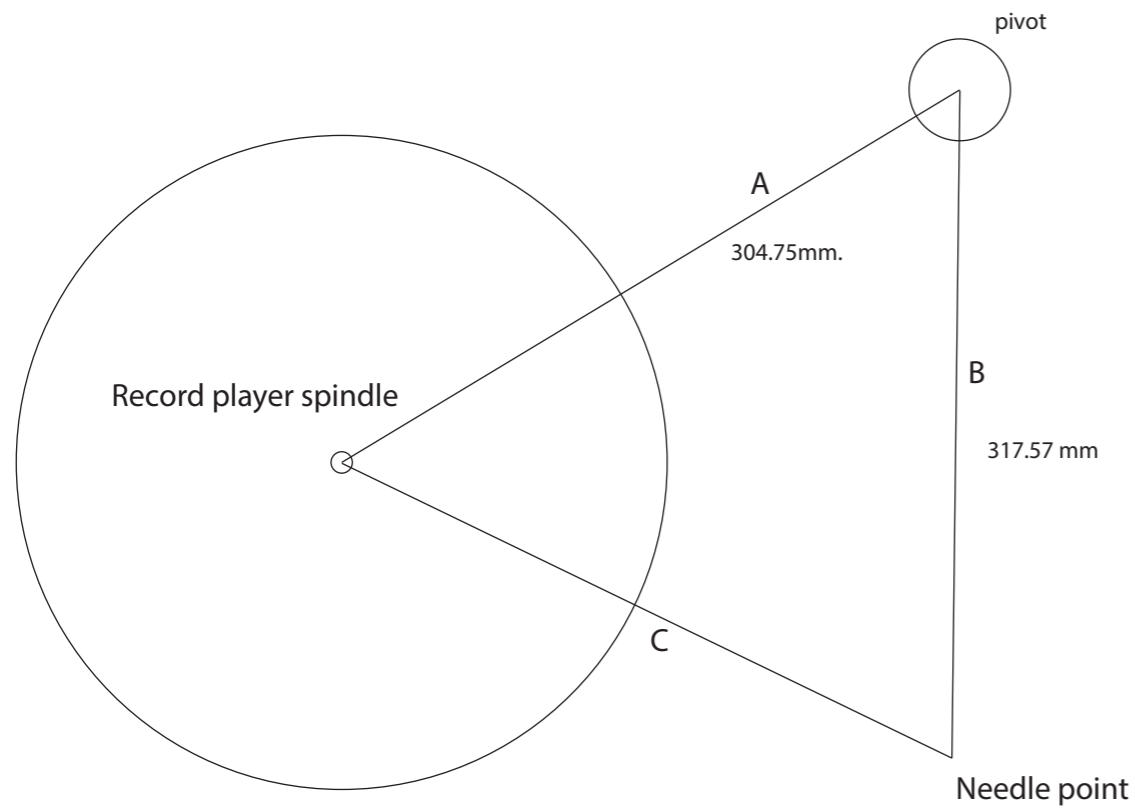
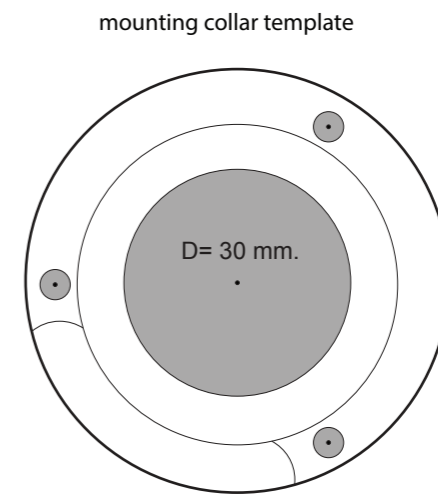
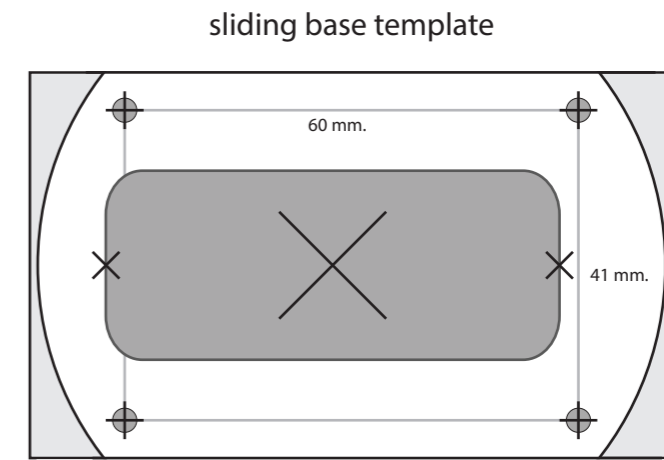


audio  creative
GrooveMaster-II



A= pivot to spindle = 304.75 mm.
 B= effective length = 317.57 mm.
 C= distance spindle to needle = 240 mm. (+/- 10 mm.)
 Overhang= 12.82 mm.
 Offset angle= 17.11 degrees

Anti Skating Setting GrooveMaster-II	
VTF	micrometer setting
1	6
1.5	5.5
2	5
2.5	4
3	3.5
3.5	3
4	2.5
4.5	1.2



Mounting template pivot to spindle

